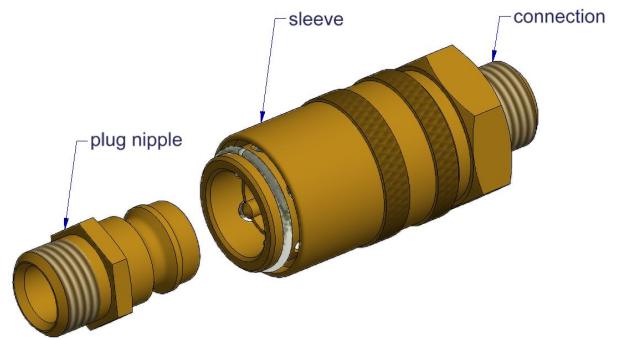


TEMPERING-COUPPLINGS, 131- NOMINAL FLOW DIAMETER 9,0-BRASS WITHOUT VALVE



TECHNIQUE

Single-handed coupling with automatic 5-point locking with balls. Coupling occurs by pushing the plug connector in until the locking balls catch audibly. The uncoupling process is started via the release sleeve; the valve plug connector and the valve coupling are returned to their original position.

Tempering coupling with european profile.

ANWENDUNGSBEREICHE

- cooling
- brass
- without valve

PRESSURE RANGE

The coupling can be statically loaded up to 15 bar without pulsation.

MATERIALS COUPLING

Connections, basic body, release sleeve and valve brass
 Pressure springs and retaining rings AISI 301
 Balls AISI 420

MATERIALS GASKET

Seals made of fluorine elastomer (FPM)
 Hardness of material 70 Shore
 Temperature range -25°C through +200°C
 Temperature range -25°C through +300°C (allowed for short periods)
 Gas permeability coefficient (Ø)= 3
 Resistant to mineral oils, fuels, chlorinated hydrocarbons, synthetic hydraulic fluids, hot air and many chemicals (on request)

MATERIALS CONNECTION

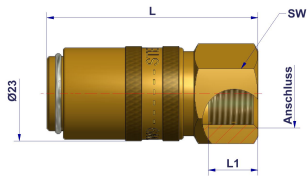
Plug connector, valve and supporting disc brass
 Pressure spring AISI 301

CHARACTERISTICS

The plug has a thread that is nickel plated according to DIN 228.

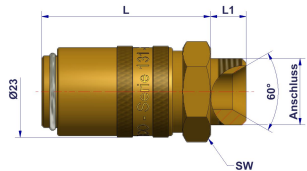
 Please take note that the functional safety can just be guaranteed with a STEINCO-plug.
 Alternative can be used, too.

TEMPERING-COUPPLINGS, 131- NOMINAL FLOW DIAMETER 9,0-BRASS WITHOUT VALVE



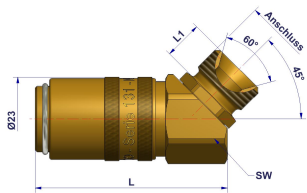
FEMALE COUPLING

Anschluss	L	L1	SW	Ventil	Bestellnummer
G1/4	47,5	9	21	ohne Ventil	131.00.K0NS.IG014.M0V
G3/8	51	12	21	ohne Ventil	131.00.K0NS.IG038.M0V
G1/2				ohne Ventil	131.00.K0NS.IG012.M0V



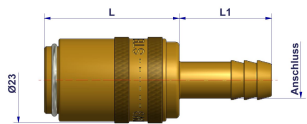
FEMALE COUPLING (SHORT) ACCORDNING

Anschluss	L	L1	SW	Ventil	Bestellnummer
G3/8	29	9	22	ohne Ventil	131.00.K0NS.AGK38.M0V



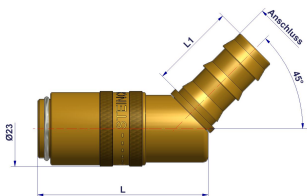
MALE COUPLING (45°)

Anschluss	L	L1	SW	Ventil	Bestellnummer
G1/4	52,5	9	22	ohne Ventil	131.00.K0NS.AG414.M0V
G3/8	52,5	10,5	22	ohne Ventil	131.00.K0NS.AG438.M0V



HOSE TAIL COUPLING

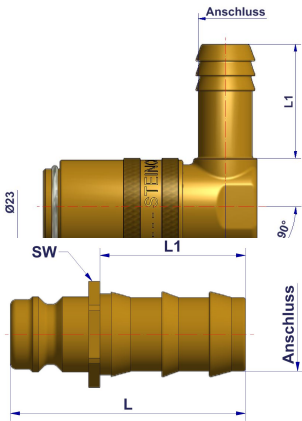
Anschluss	L	L1	Ventil	Bestellnummer
LW10	36,5	25	mit Ventil	131.00.KB0S.ST010.M0V
LW10	36,5	25	ohne Ventil	131.00.K0NS.ST010.M0V
LW13	36,5	25	mit Ventil	131.00.K0NS.ST013.M0V
LW13	36,5	25	ohne Ventil	131.00.KB0S.ST013.M0V



COUPLING WITH STICK/HOSE CONNECTOR (45°)

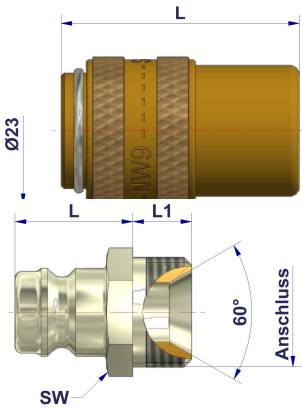
Anschluss	L	L1	Ventil	Bestellnummer
LW10	52	23,5	ohne Ventil	131.00.K0NS.SS410.M0V
LW13	52	26	ohne Ventil	131.00.K0NS.SS413.M0V

TEMPERING-COUPPLINGS, 131- NOMINAL FLOW DIAMETER 9,0-BRASS WITHOUT VALVE



HOSE TAIL COUPLING (90°)

Anschluss	L	L1	Ventil	Bestellnummer
LW10			ohne Ventil	131.00.K0NS.ST910.M0V
LW13	45,5	27	ohne Ventil	131.00.KB0S.ST913.M0V

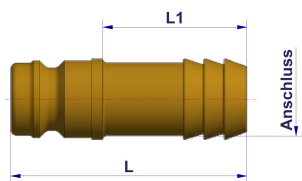


STICK/HOSE PLUG

Anschluss	SW	Ventil	Bestellnummer
LW10	17	ohne Ventil	131.00.S000.ST010.M00
LW13	17	ohne Ventil	131.00.S000.ST013.M00

BLIND COUPLING

Anschluss	D	D1	SW	Bestellnummer
Closed	37	22	13	131.00.K00S.B0000.M0V



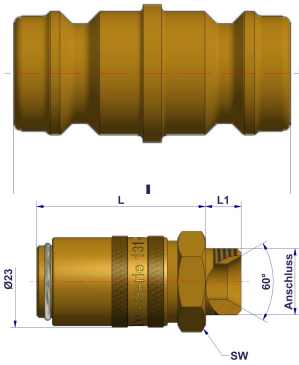
MALE PLUG

Anschluss	L	L1	SW	Ventil	Bestellnummer
1/8	17	7	11	ohne Ventil	131.00.S000.AG018.MN0
1/4	17	9	15	ohne Ventil	131.00.S000.AG014.MN0
3/8	18	9	17	ohne Ventil	131.00.S000.AG038.MN0

HOSE TAIL PLUG

Anschluss	L	L1	Ventil	Bestellnummer
LW10	41	52	ohne Ventil	131.00.S000.ST010.M00
LW13	41	52	ohne Ventil	131.00.S000.ST013.M00

TEMPERING-COUPPLINGS, 131- NOMINAL FLOW DIAMETER 9,0-BRASS WITHOUT VALVE

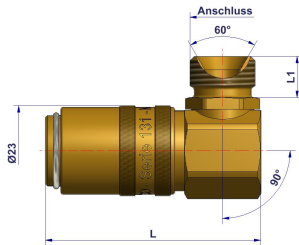


DOUBLE PLUG

L	D	D1	D2	Bestellnummer
30	15	13	9	131.00.S000.D0000.M00

MALE COUPLING

Anschluss	L	L1	SW	Ventil	Bestellnummer
G1/4	42,5	9	22	mit Ventil	131.00.KB0S.AG014.M0V
G1/4	42,5	9	22	ohne Ventil	131.00.K0NS.AG014.M0V
G3/8	42,5	9	22	mit Ventil	131.00.KB0S.AG038.M0V
G3/8	42,5	9	22	ohne Ventil	131.00.K0NS.AG038.M0V
G1/2	45,5	12	24	mit Ventil	131.00.KB0S.AG012.M0V
G1/2	45,5	12	24	ohne Ventil	131.00.K0NS.AG012.M0V



MALE COUPLING (90°)

Anschluss	L	L1	SW	Ventil	Bestellnummer
G1/4	55	9	22	mit Ventil	131.00.KB0S.AG914.M0V
G1/4	55	9	22	ohne Ventil	131.00.K0NS.AG914.M0V
G3/8	55	10,5	22	mit Ventil	131.00.KB0S.AG938.M0V
G3/8	55	10,5	22	ohne Ventil	131.00.K0NS.AG938.M0V